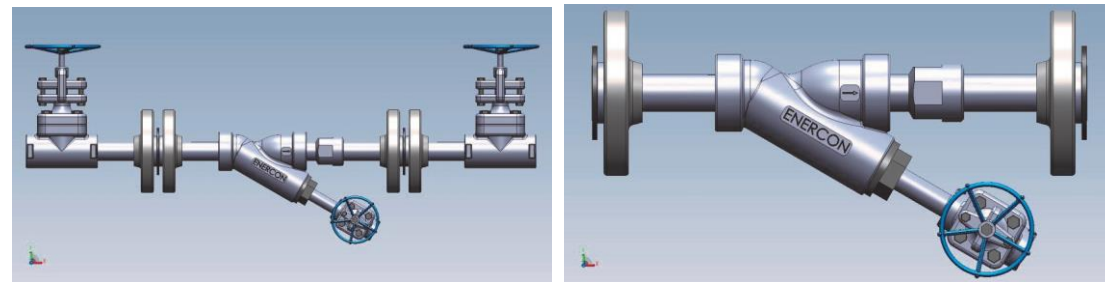


Technology/Service Solutions

- Improved Safety of Facility
- Increased Facility & Operational Efficiency
- Reduced Energy Costs
- Reduced Maintenance & Equipment Repair Expenses
- Reduced Fuel Emissions
- Carbon Footprint Reduction
- Water & Chemical Treatment Savings
- Improved Cash Flow

Customizable Solutions

We understand that every system is unique. We provide a customizable solution for your system, allowing the EVCR Technology to adapt to your system's specifications.



Flanged, Double-Block Systems / Double-Block Systems / Single Flange, Single-Block Systems / Single-Block Systems



ENERCON SERVICES

- *Steam System Energy Surveys*
- *Technical Support*
- *“Closed-Loop” Condensate System Design*
- *“Turn-Key” Installation of EVCR Technology & “Closed Loop” Condensate System*



PO Box 600788
 Dallas, TX 75360-0788
 214-292-3485 Phone
 214-593-4088 Fax
enercon.info@enerconsteam.com



OPTIMIZING ENERGY EFFICIENCY



Changing The Way You Think About **Steam Traps**

This permanent solution is a “field proven” solution to boiler-to-return tank condensate and steam loss problems in over 1,400 facilities, cutting energy consumptions and costs.

ENERCON STEAM SOLUTIONS

“Dedicated to Operational Efficiency, Natural Resource Conservation & Carbon Footprint Reduction”

Steam Surveys
 Technical Support
 System Design
 Turn-Key Projects





Steam loss is critical when measuring the amount of energy a facility loses annually, and the amount of energy consumption it takes to replace that energy!

Company Overview

We are steam experts, who through our innovative technology and technical services, help our clients achieve increased operational efficiency, while addressing today's critical issues of: Energy Efficiency, Natural Resource Conservation & Carbon Footprint Reduction.

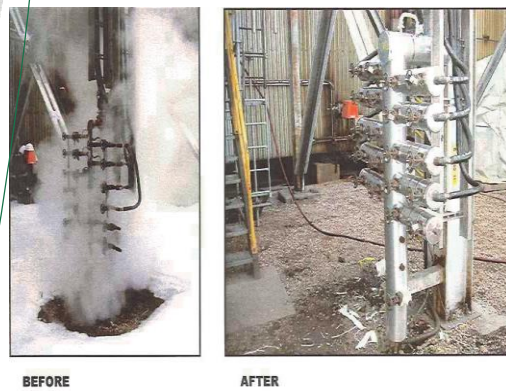
Company Objective

Introduce our technology and services to entities whose facilities will benefit from improved operational efficiency, lower energy costs & water conservation



THE KEY TO SYSTEM PERFORMANCE

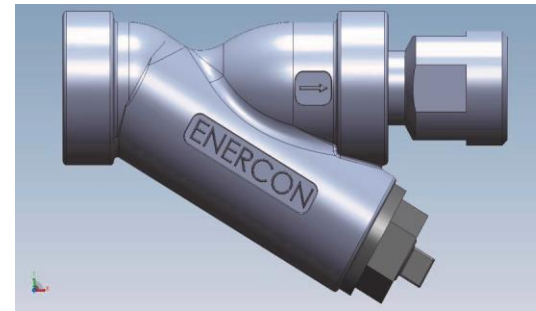
Experts agree that the key to system performance is the efficient purging of condensate, while maximizing dry heat that stays in the system. Water in the system reduces heat transfer and causes corrosion, erosion, water hammer and other problems. The EVCR Unit's innovative design completely eliminates condensate from a steam system while maximizing the system's retention of BTU rich, dry heat.



INHERENT PROBLEMS WITH TODAY'S MECHANICAL STEAM TRAPS

- Moving parts degrade overtime
- Labor intensive maintenance program needed for identification and replacing or repairing malfunctioning traps
- Ongoing replacement cost - Life expectancy Avg. 3-4 yrs; as little as 3 months
- Steam system inefficiencies in 15% to 30% range are normal
- Leaves condensate in the system that leads to various kinds of water damage
- Guaranteed to fail open or closed by the manufacturer

Technology At Work For You



A PERMANENT SOLUTION

The EVCR UNIT removes condensate continuously and has no moving parts.

EVCR UNITS in facilities converted as long as 16 years ago have not needed a replacement or lost condensate removal efficiency!

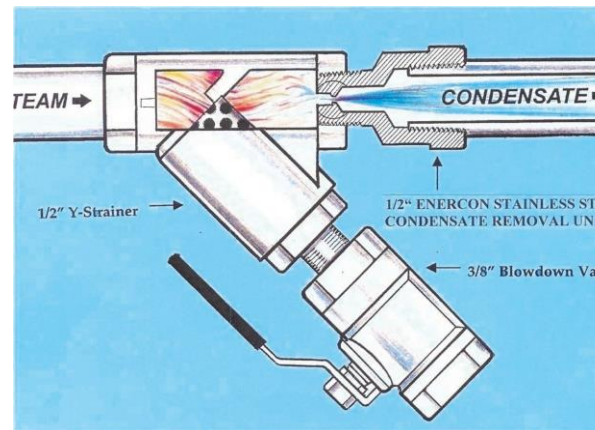
Through permanently eliminating failed steam traps passing live steam into the condensate return system and pressurizing the system, a more balanced downstream pressure is achieved allowing faster condensate discharge and improved

The EVCR Unit is NOT another steam trap but a permanent, superior replacement to today's mechanical steam trap!

While cutting energy costs 10% to 35+% and virtually eliminating steam trap maintenance, our EVCR Technology has solved problems such as low and inconsistent temperatures, pressure drops and water hammer.



EVCR UNITS Superior Performance Under Variable Load



Every condensate load varies somewhat. When the load does drop below 100%, the solid condensate stream that completely blocks steam loss, aided by the Enercon Venturi Design, becomes a violently turbulent mixture of equivalent volumes of steam and water, a phenomenon called two-phase flow. Since condensate is several hundred times denser than steam, no steam loss is experienced down to 68% of maximum load and only a negligible amount thereafter.

APPLICATIONS

- Drip Legs / Tracing Lines/Unit Heaters / Humidifiers
- Heat Exchangers/ Submerged Coils/ Jacketed Coils
- Steam Headers / Cooking Pots / Sterilization Equipment
- Control Valve Operations / Many Other Applications

**Permanent Solutions
for your facility needs**